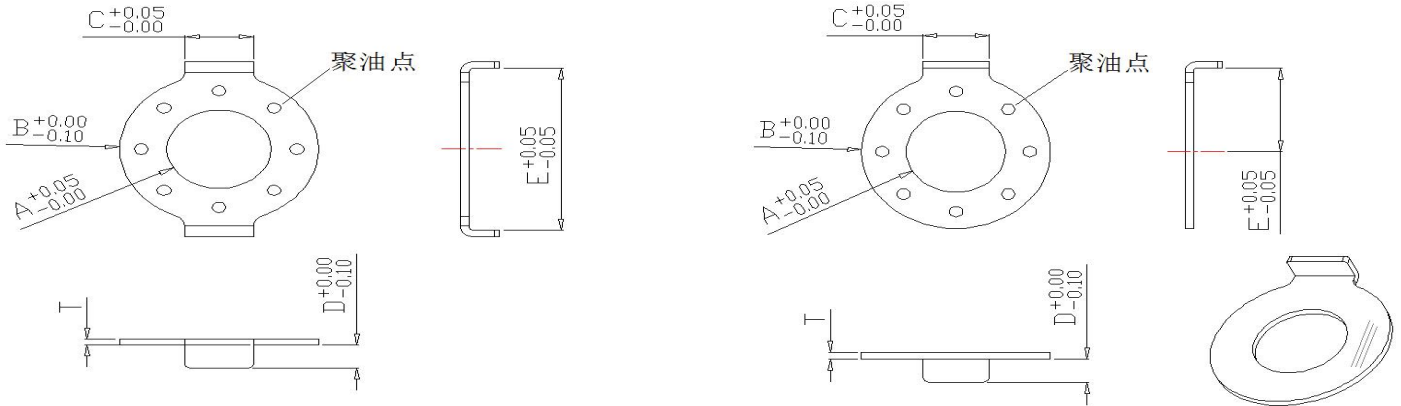


# Dongguan Mengpeng Hardware and Electronics Co., Ltd.

DONG GUAN Meng Peng Hardware Electronics Co. Ltd

No.2, Xinlian Xinda Road, Humen Town, Dongwu City

D/Tel:0769-81618216 13559701520      E-mail:435232053@QQ.com



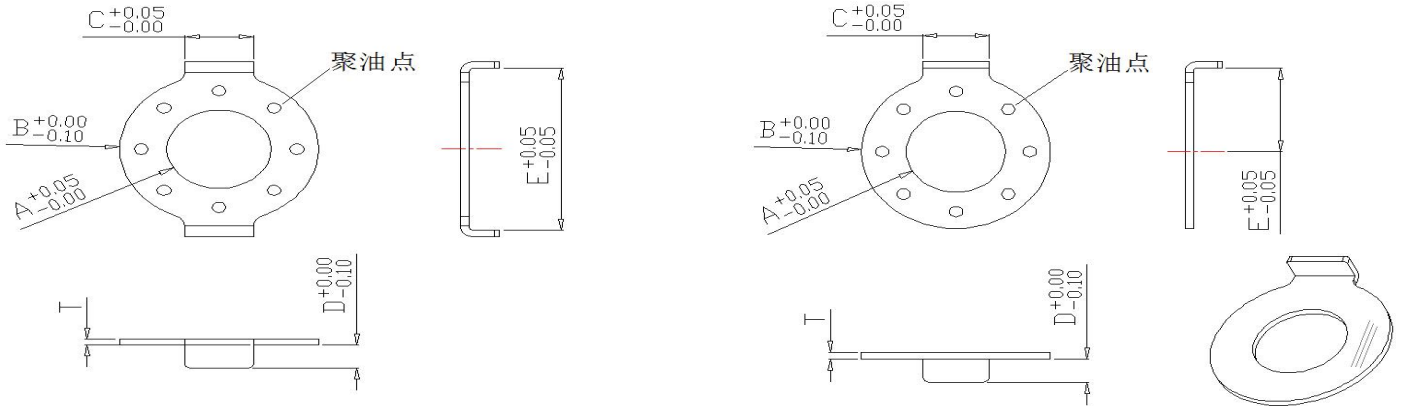
Order number	Class	Mengpeng Specification Models					Mengpeng Material Number
		External diameter (B)	Internal hole A & F* (C)	Thickness (T)	Hang Height (D)	Center and Margin (E)	
1	(Friction) Single Hook	6	3.1 (2)	0.5(-0.03)	0.9	3.25	1.1.03.N06001A
2	(Friction) Single Hook	7	3.55 (3.01)	1.0(-0.03)	5	4.65	1.1.03.N07003A
3	(Friction) Single Hook	7	4 (2.4)	0.5(-0.03)	1.4	5.4	1.1.03.N07002C
4	(Friction) Single Hook	7	4.03 (3)	1.0(-0.03)	3.5	5.4	1.1.03.N07001C
5	(Friction) Double Hook	7	4.03*3 (2.4)	0.8(-0.03)	1.8	10.5	1.1.04.Y07001A
6	(Friction) Single Hook	8	4.05 (2.4)	0.5(-0.03)	0.9	4.9	1.1.03.N08001A
7	(Friction) Double Hook	8	4.05(3.0)	0.5(-0.03)	1.5	8.6	1.1.04.N08002A
8	(Friction) Double Hook	8	4.13 (3.5)	0.5(-0.03)	1.25	9	1.1.04.N08001A
9	(Friction) Double Hook	9	5.02 (2.0)	1.0(-0.03)	2	12	1.1.04.N09001A
10	(Friction) Double Hook	9.3	6.02 (3.01)	1.0(-0.03)	2.3	11.4	1.1.04.N09301A

# Dongguan Mengpeng Hardware and Electronics Co., Ltd.

DONG GUAN Meng Peng Hardware Electronics Co. Ltd

No.2, Xinlian Xinda Road, Humen Town, Dongwu City

D/Tel:0769-81618216 13559701520      E-mail:435232053@QQ.com



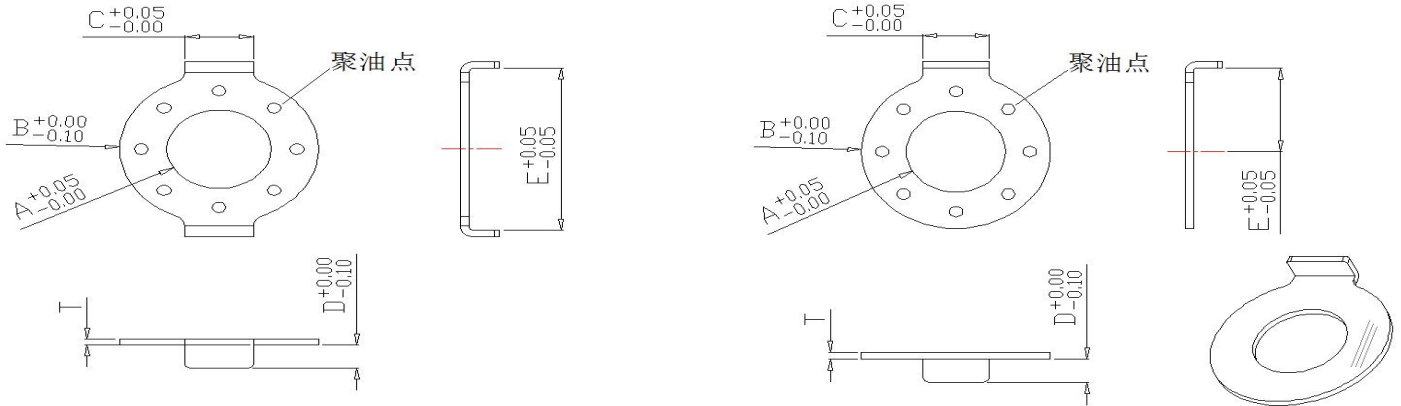
Order number	Class	Mengpeng Specification Models					Mengpeng Material Number
		External diameter (B)	Internal hole A & F* (C)	Thickness (T)	Hang Height (D)	Center and Margin (E)	
11	(Friction) Double Hook	9.5	4.05 (2.4)	0.5(-0.03)	2	5.25	1.1.04.N09505C
12	(Friction) Double Hook	9.5	5.02 (3.0)	0.5(-0.03)	1.5	12	1.1.04.N09504C
13	(Friction) Single Hook	9.5	5.05 (3)	0.5(-0.03)	2	5.5	1.1.03.N09501C
14	(Friction) Single Hook	9.5	5.05 (3.0)	0.5(-0.03)	1.3	5.5	1.1.03.N09503A
15	(Friction) Single Hook	9.5	5.05 (3.1)	0.5(-0.03)	1.4	5.6	1.1.03.N09502A
16	(Friction) Single Hook	10	5.02 (4.0)	0.8(-0.03)	1.7	7.8	1.1.03.N10004G
17	(Friction) Single Hook	10	5.02 (4.0)	0.8(-0.03)	1.7	7.8	1.1.03.N10005B
18	(Friction) Single Hook	10	6.03 (2.52)	0.8(-0.03)	2.7	5.5	1.1.03.N10002A
19	(Friction) Single Hook	10	6.05 (2.22)	1.0(-0.03)	3.2	5.75	1.1.03.N10001A
20	(Friction) Single Hook	10	6.05 (2.22)	1.0(-0.03)	3.2	5.75	1.1.03.N10003A

# Dongguan Mengpeng Hardware and Electronics Co., Ltd.

DONG GUAN Meng Peng Hardware Electronics Co. Ltd

No.2, Xinlian Xinda Road, Humen Town, Dongwu City

D/Tel:0769-81618216 13559701520      E-mail:435232053@QQ.com



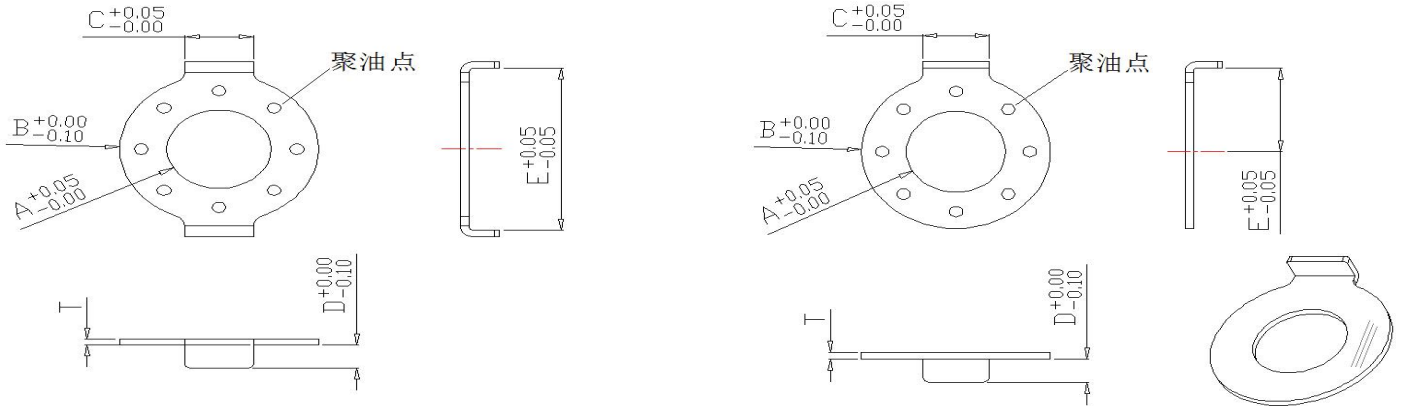
Order number	Class	Mengpeng Specification Models					Mengpeng Material Number
		External diameter (B)	Internal hole A & F* (C)	Thickness (T)	Hang Height (D)	Center and Margin (E)	
21	(Friction) Single Hook	10	6.1 (3.0)	0.5 (-0.03)	1.3	5.3	1.1.03.N10006A
22	(Friction) Single Hook	11.5	5.05 (4.0)	0.5(-0.03)	2.25	6.25	1.1.03.N11503A
23	(Friction) Single Hook	11.5	6.05 (4.0)	0.5(-0.03)	1.45	6.25	1.1.03.N11502A
24	(Friction) Single Hook	11.5	6.05 (4.0)	0.5(-0.03)	2.25	6.25	1.1.03.N11505C
25	(Friction) Single Hook	11.5	6.05 (4.0)	0.5(-0.03)	2.25	6.25	1.1.03.N11507C
26	(Friction) Single Hook	11.5	6.05 (4.0)	0.5(-0.03)	2.25	6.25	1.1.03.N11507F
27	(Friction) Double Hook	12	5.03*3.98(4.0)	1.0(-0.03)	2.75	5.85	1.1.04.Y12003E
28	(Friction) Single Hook	12	5.1 (3.0)	1.0(-0.03)	1.2	7	1.1.03.N12003A
29	(Friction) Single Hook	12	6 (4.0)	0.5(-0.03)	2	6.8	1.1.03.N12002C
30	(Friction) Single Hook	12	6 (4.0)	0.5(-0.03)	2	6.8	1.1.03.N12006A

# Dongguan Mengpeng Hardware and Electronics Co., Ltd.

DONG GUAN Meng Peng Hardware Electronics Co. Ltd

No.2, Xinlian Xinda Road, Humen Town, Dongwu City

D/Tel:0769-81618216 13559701520      E-mail:435232053@QQ.com



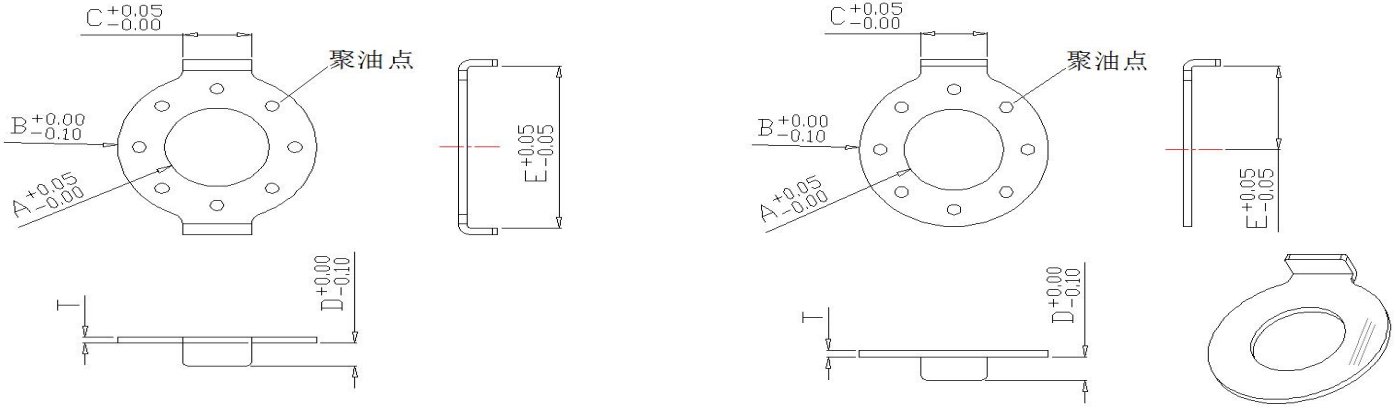
Order number	Class	Mengpeng Specification Models					Mengpeng Material Number
		External diameter (B)	Internal hole A & F* (C)	Thickness (T)	Hang Height (D)	Center and Margin (E)	
31	(Friction) Double Hook	12	6.03 (4.0)	0.5(-0.03)	2	6.75	1.1.04.N12004C
32	(Friction) Single Hook	12	6.05(4.0)	1.5(-0.03)	3.5	6.37	1.1.03.N12005A
33	(Friction) Single Hook	12	6.05*4.7(4.0)	1.5(-0.03)	3.5	6.57	1.1.03.Y12012A
34	(Friction) Single Hook	12	6.05*4.7(4.0)	1.5(-0.03)	4.5	6.57	1.1.04.Y12004A
35	(Friction) Single Hook	12	6.06*4.7(4.0)	1.5(-0.03)	4.5	7.2	1.1.03.Y12013A
36	(Friction) Single Hook	12	6.1 (4.0)	1.5(-0.03)	2	6.5	1.1.03.N12004A
37	(Friction) Single Hook	12	6.15 (4.0)	0.5(-0.03)	1.5	7	1.1.03.N12001A
38	(Friction) Single Hook	14	6 (3.0)	0.5(-0.03)	1.6	7.3	1.1.03.N14004B
39	(Friction) Single Hook	14	8 (4.0)	0.5(-0.03)	2.5	7.5	1.1.03.N14001C
40	(Friction) Single Hook	14	8*6 (4.0)	0.5(-0.03)	2	7.5	1.1.03.Y14002C

# Dongguan Mengpeng Hardware and Electronics Co., Ltd.

DONG GUAN Meng Peng Hardware Electronics Co. Ltd

No.2, Xinlian Xinda Road, Humen Town, Dongwu City

D/Tel:0769-81618216 13559701520      E-mail:435232053@QQ.com



Order number	Class	Mengpeng Specification Models					Mengpeng Material Number
		External diameter (B)	Internal hole A & F* (C)	Thickness (T)	Hang Height (D)	Center and Margin (E)	
41	(Friction) Single Hook	14	8*6 (5.0)	1.5(-0.03)	3.8	7.5	1.1.03.Y14001C
42	(Friction) Single Hook	14	8.05 (4.0)	0.5(-0.03)	1.5	7.5	1.1.03.N14002C
43	(Friction) Double Hook	16	8.0(4.0)	0.5(-0.03)	2	8.25	1.1.04.N16001A
44	(Friction) Single Hook	20	10.02 (5.0)	0.8(-0.03)	2.6	11.25	1.1.03.N20001A
45	(Friction) Double Hook	20	10.05 (5.0)	1.0(-0.03)	1.9	20.5	1.1.04.N20002C
46	(Friction) Double Hook	20	10.05 (5.0)	1.0(-0.03)	1.9	20.5	1.1.04.N20003B
47	(Friction) Double Hook	20	10.1 (5.0)	1.2(-0.03)	3	23	1.1.04.N20001C
48	(Friction) Single Hook	24	12 (5.0)	1.0(-0.03)	2.8	12.5	1.1.03.N24001C